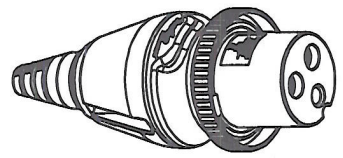
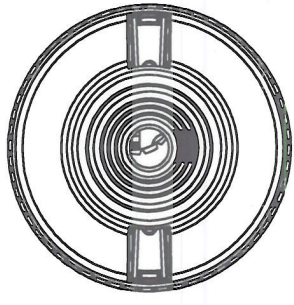
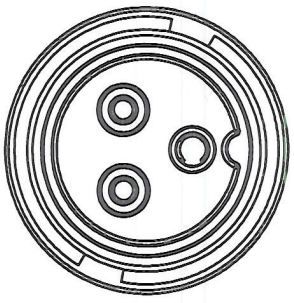
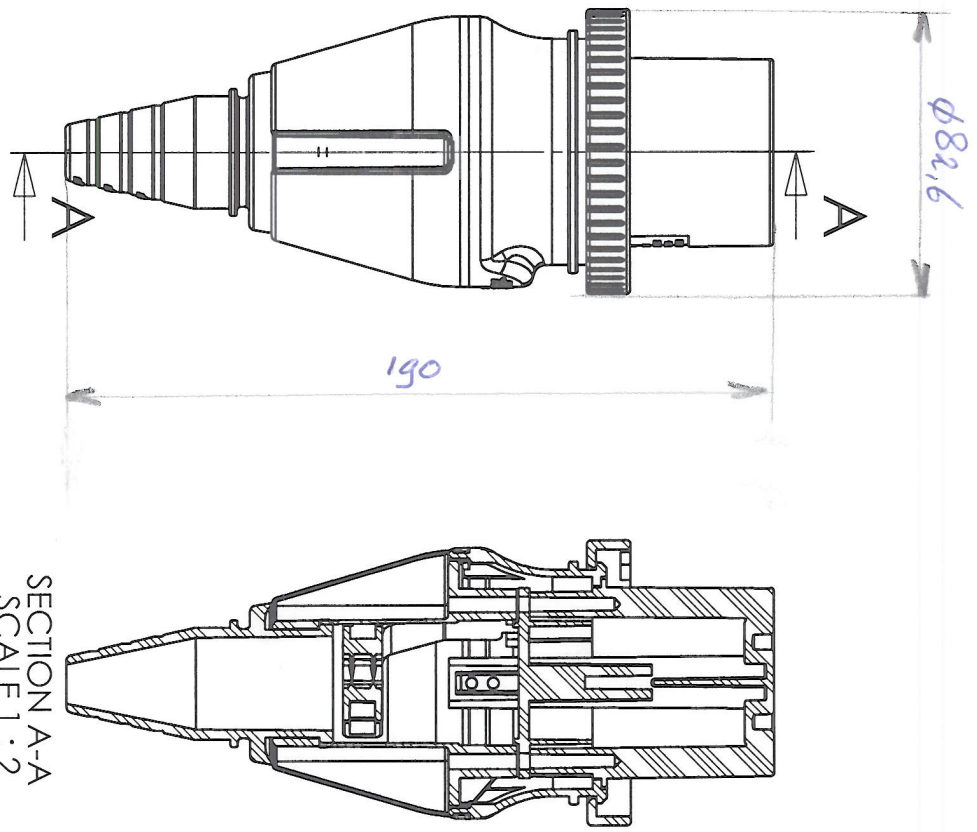


THE INFORMATION CONTAINED IN THIS DRAWING IS THE SOLE PROPERTY OF NOEST productdevelopment. ANY REPRODUCTION IN PART OR WHOLE WITHOUT THE WRITTEN PERMISSION OF NOEST productdevelopment IS PROHIBITED

PRODUCTION
(3d-file leading)



UNLESS OTHERWISE SPECIFIED
DIMENSIONS ARE IN MILLIMETERS
TOLERANCES ARE ACCORDING:
DIN 16901

VOLUME: --
MATERIAL: --
FINISH: --

CAD GENERATED DRAWING,
DO NOT MANUALLY UPDATE

APPROVALS

DRAWN: 3DE DATE: 7/5/2007

CHECKED: --

NOTES:

MP32-110(plug assembly)

CLIENT: --	SIZE: A4	DWG. NO.: MP32-110	REV:
SCALE 1:2		3d FILE: MP32-110(plug assembly)	SHEET 2 OF 2